

BUILT-IN SECTIONAL

DESIGN: REAL CEDAR ORIGINAL

This built-in outdoor sectional is the perfect seating solution for smaller spaces. It's also great for defining entertainment areas in larger outdoor settings. With removable seating panels, it doubles as outdoor storage as well. It's easy to move and easy to build. That's because the design calls for Real Cedar, a durable, yet surprisingly lightweight building material. Furthermore, Real Cedar is naturally resistant to rot, decay and insects. So you can enjoy your customized sectional for years to come with minimal maintenance.

In terms of WRC grades, choose Architect Knotty for a more rustic look and Architect Clear for a polished contemporary look. And when it comes to specifying sizes, we recommend asking your local Real Cedar retailer if they have any short lengths in stock. Using short lengths means less cutting, less waste and more savings for you.

FASTENER PRO TIPS

1. Where gluing is required, only apply a polyurethane construction adhesive specially formulated for outdoor applications. Using a scrap of wood, spread a thin even layer of glue like butter on toast. Avoid applying excessive amounts and keep glue at least 1/2" away from exterior edges of joint to avoid unappealing bleed out. Press pieces in place briefly, then pull them apart for a second before pressing firmly back in place (this helps activate the glue so it will set faster). Always use clamps to keep pieces in position while driving in screws because until the glue dries, pieces are at risk of slipping.
2. For all outdoor work, you should use corrosion-resistant stainless steel or hot-dipped galvanized nails. Other fasteners and hardware such as bolts, screws and hinges should also be made from similar corrosion resistant materials.

Disclaimer: These projects require ripping standard size materials down to the net sizes shown.

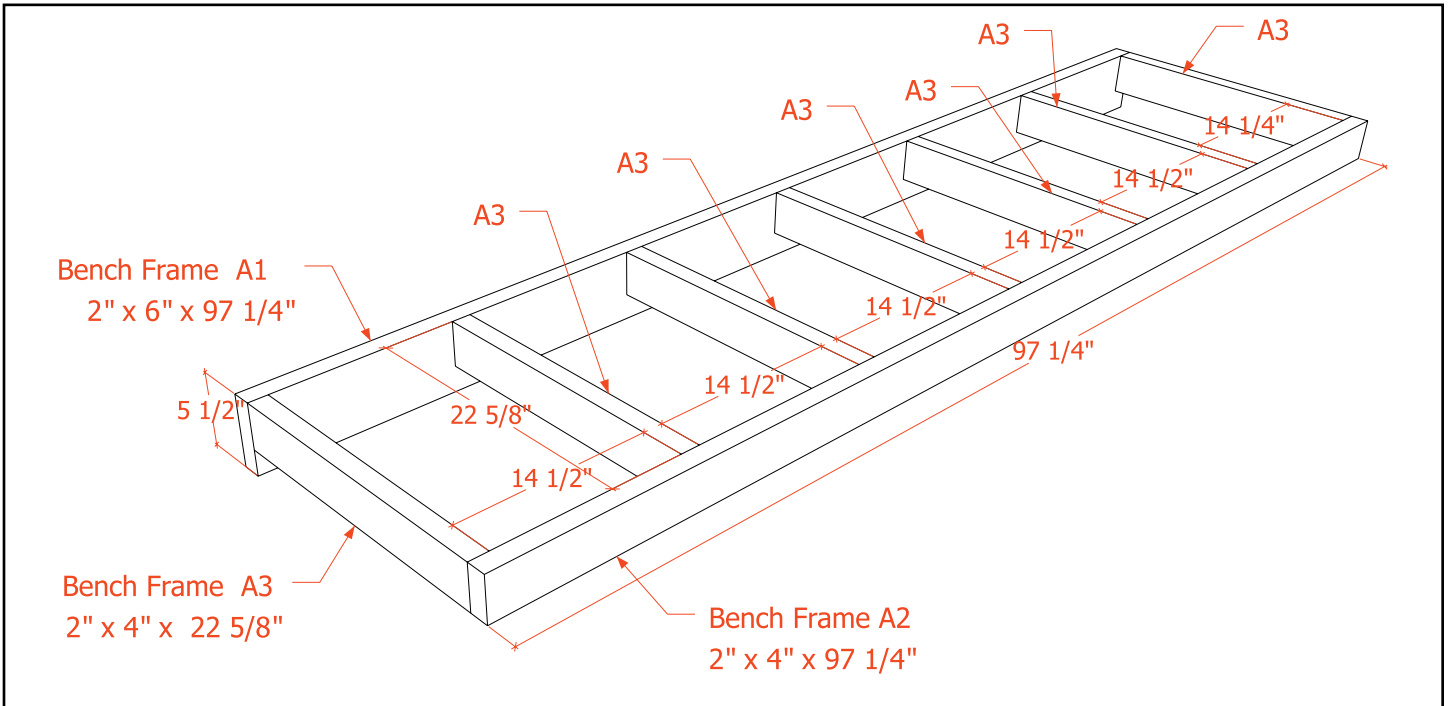
WHAT YOU'LL NEED

		FINISHED SIZE					
Part #	Description	Thickness	Width	Length	Nominal Sizes	Material	Qty
Hardware							
S	Screws #8			2-3/4"		Stainless Steel	150
T	Finishing Nails 16 Gauge			2"		Stainless Steel	500
U	Finishing Nails 16 Gauge			1-1/4"		Stainless Steel	100
Parts							
	Bench						
A1	Back Frame	1-1/2"	5-1/2"	97-1/4"	2x6x9'	WR Cedar Smooth	1
A2	Front Frame	1-1/2"	3-1/2"	97-1/4"	2x4x9'	WR Cedar Smooth	1
A3	Cross Members	1-1/2"	3-1/2"	22-5/8"	2x4x2'	WR Cedar Smooth	7
B1	Back Frame	1-1/2"	5-1/2"	74-5/8"	2x6x7'	WR Cedar Smooth	1
B2	Front Frame	1-1/2"	3-1/2"	49"	2x4x5'	WR Cedar Smooth	1
B3	Cross Members	1-1/2"	3-1/2"	22-5/8"	2x4x2'	WR Cedar Smooth	4
	Legs						
C1	Side Leg Horizontal	1-1/2"	3-1/2"	25-5/8"	2x4x3'	WR Cedar Smooth	4
C2	Side Leg Vertical	1-1/2"	3-1/2"	18"	2x4x2'	WR Cedar Smooth	4
C3	Side Leg Horizontal	1-1/2"	5-1/2"	28-5/8"	2x6x3'	WR Cedar Smooth	4
C4	Side Leg Vertical	1-1/2"	5-1/2"	24"	2x6x2'	WR Cedar Smooth	4
C5	Slats Horizontal	1-1/2"	3-1/2"	25-5/8"	2x4x3'	WR Cedar Smooth	16
D1	Middle Leg (or three 2x6x1')	5-1/2"	5-1/2"	10-1/2"	6x6x1'	WR Cedar Smooth	1
D2	Back Legs	1-1/2"	5-1/2"	10-1/2"	2x6x1'	WR Cedar Smooth	3
	Seat						
E1	Front Cap	1-1/2"	5-1/2"	72-1/8"	2x6x7'	WR Cedar Smooth	1
E2	Front Cap	1-1/2"	5-1/2"	46-1/2"	2x6x4'	WR Cedar Smooth	1
F1	Back Rest Support	1-1/2"	2-1/2"	99-1/4"	2x3x9'	WR Cedar Smooth	1
F2	Back Rest Support	1-1/2"	2-1/2"	73-5/8"	2x3x7'	WR Cedar Smooth	1
G1	Back Support Bottom	1-1/2"	2-1/2"	99-1/4"	2x3x9'	WR Cedar Smooth	1
G2	Back Support Bottom	1-1/2"	2-1/2"	75-1/8"	2x3x7'	WR Cedar Smooth	1
H	Back Rest Upright	1-1/2"	2-1/2"	15-9/16"	2x3x2'	WR Cedar Smooth	11
I1	Back Support Cap	1-1/2"	3-1/2"	101-5/8"	2x4x9'	WR Cedar Smooth	1
I2	Back Support Cap	1-1/2"	3-1/2"	77-9/16"	2x4x7'	WR Cedar Smooth	1
J1	Seat Slats	3/4"	3-1/2"	96"	1x4x8'	WR Cedar Smooth	6
J2	Seat Slats Bracing	3/4"	3-1/2"	22-1/2"	1x4x2'	WR Cedar Smooth	4
K1	Seat Slats	3/4"	3-1/2"	47-3/4"	1x4x4'	WR Cedar Smooth	6
K2	Seat Slats Bracing	3/4"	3-1/2"	21-1/2"	1x4x2'	WR Cedar Smooth	4
L1 – L4	Back Rest Slats	3/4"	3-1/2"	98" – 96"	1x4x9'	WR Cedar Smooth	4
L5 – L8	Back Rest Slats	3/4"	3-1/2"	73" – 71"	1x4x7'	WR Cedar Smooth	4

NOTE: Real Cedar is not responsible for any personal injury or property damage sustained in connection to these guidelines.

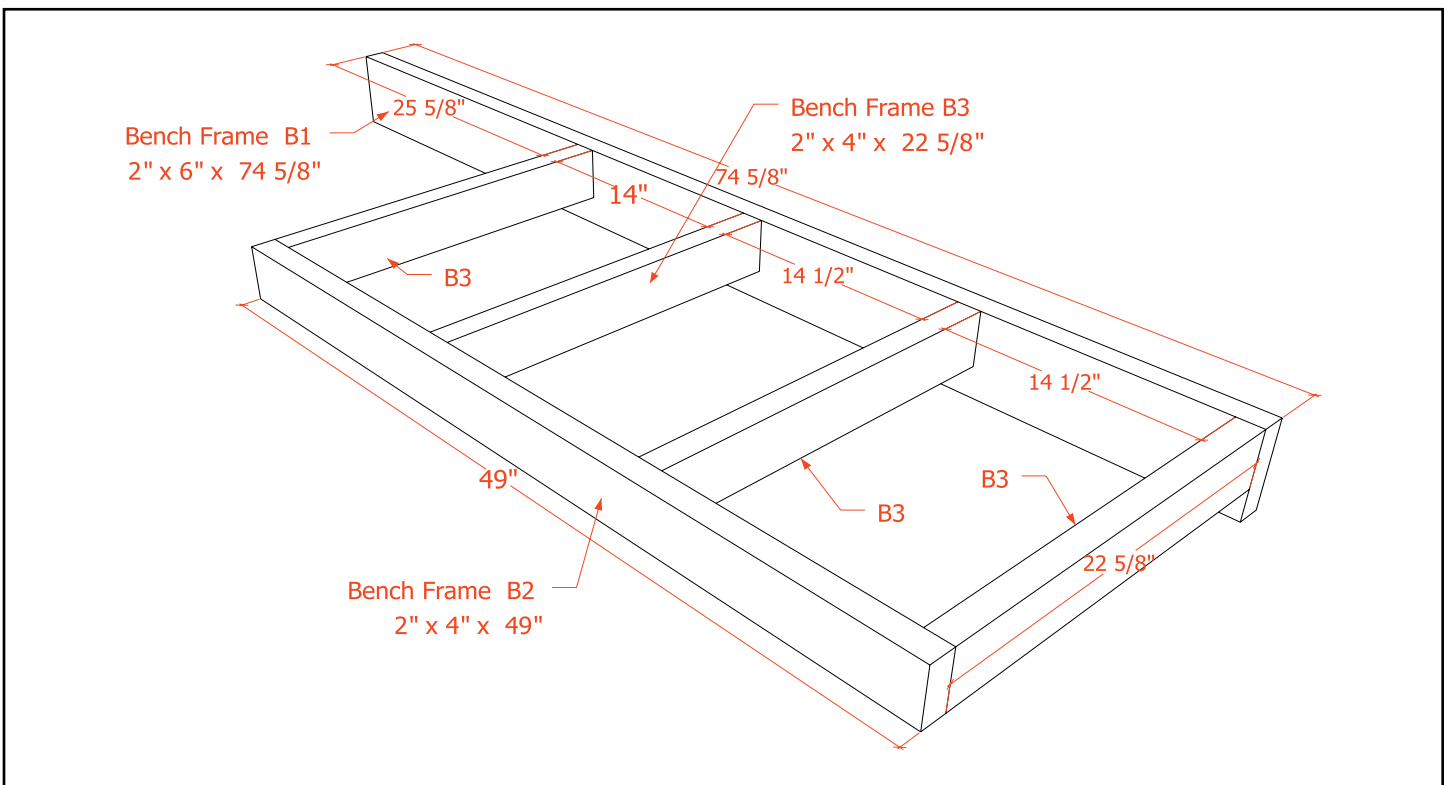
STEP 1 - Build "A" Bench Frame

Using "S" screws and glue, connect A1 and A2 frames to two A3 support frames to form a rectangular frame. Then, install five A3 support frames inside the frame, spaced about 14 ½ inches (16 inches on center).



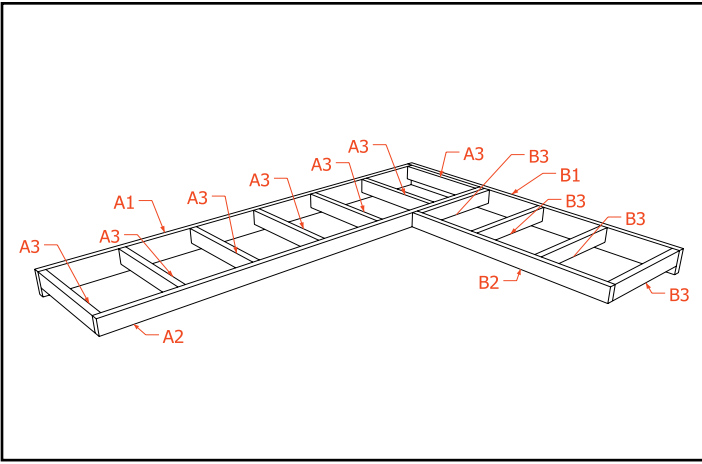
STEP 2 - Build "B" Bench Frame

Connect (B1) frame and (B2) together with four (B3) support frames, leaving 14 ½ inches in between each (B3).



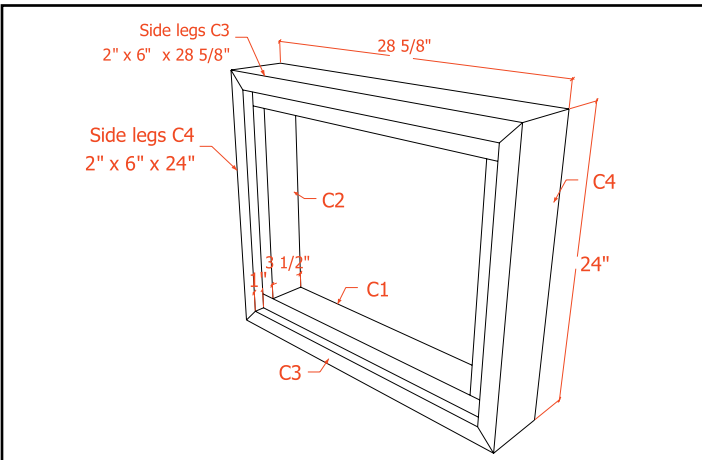
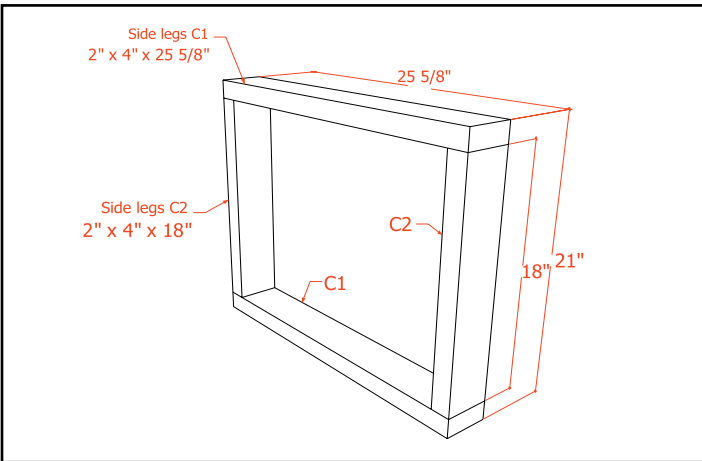
STEP 3 - Connect Bench Frames

Form L shape by attaching "A" and "B" frames together, with five "S" screws along (A3) and corner end of (B1), and five more screws along (B3) and corner end of (A3).



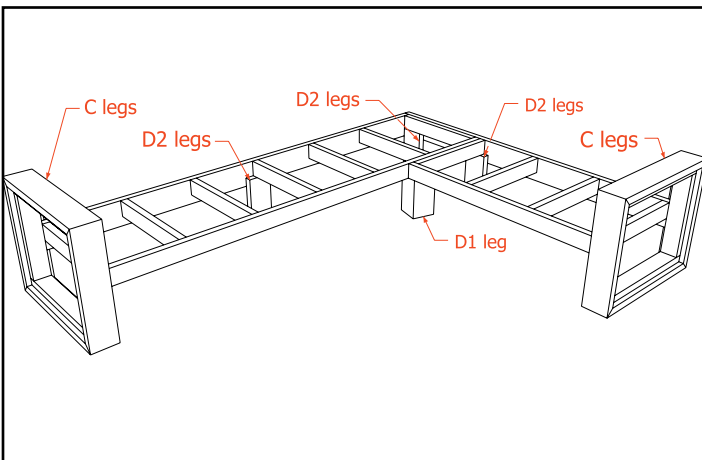
STEP 4 - Build Side Legs

Using "S" screws and glue, form a square with two (C1) legs and two (C2) legs. Then wrap square with two outer (C3) side legs and two outer (C4) side legs. Fasten with "T" nails. Repeat for a total of two legs.



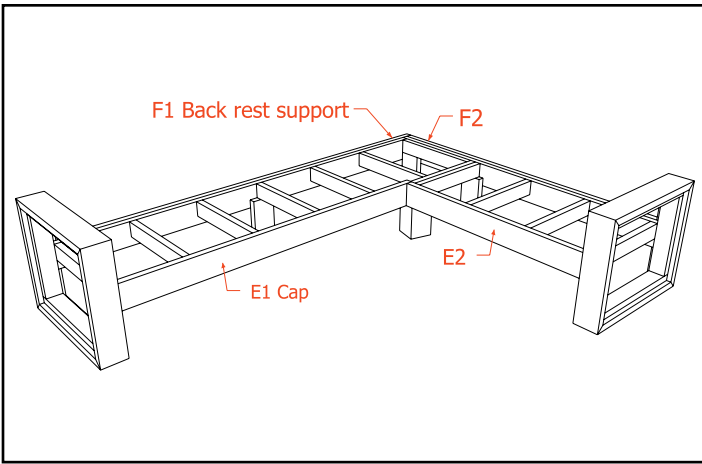
STEP 5 - Install Legs

Install one side leg to the "A" bench frame and one side leg to the "B" bench frame. Then attach three (D2) legs and one (D1 or three 2x6x1') leg on the inside corner.



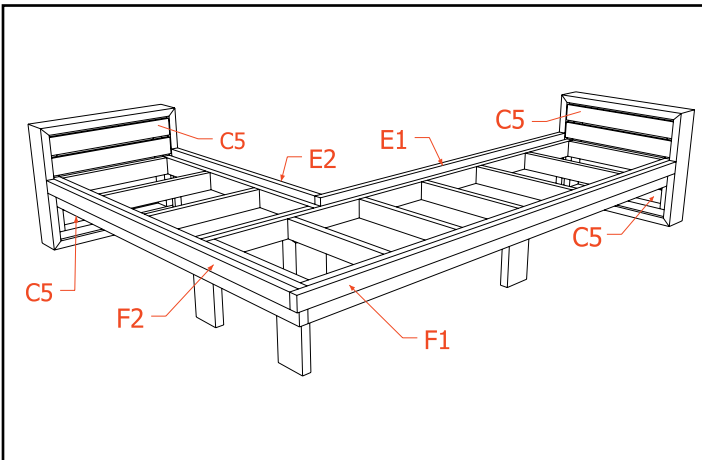
STEP 6 - Add Fascia

Attach (E1) cap to front of "A" frame and (E2) cap to front of "B" bench frame. Then (F1) back rest support to back of "A" frame and (F2) back rest frame to "B" bench frame.



STEP 7 - Install Side Leg Slats

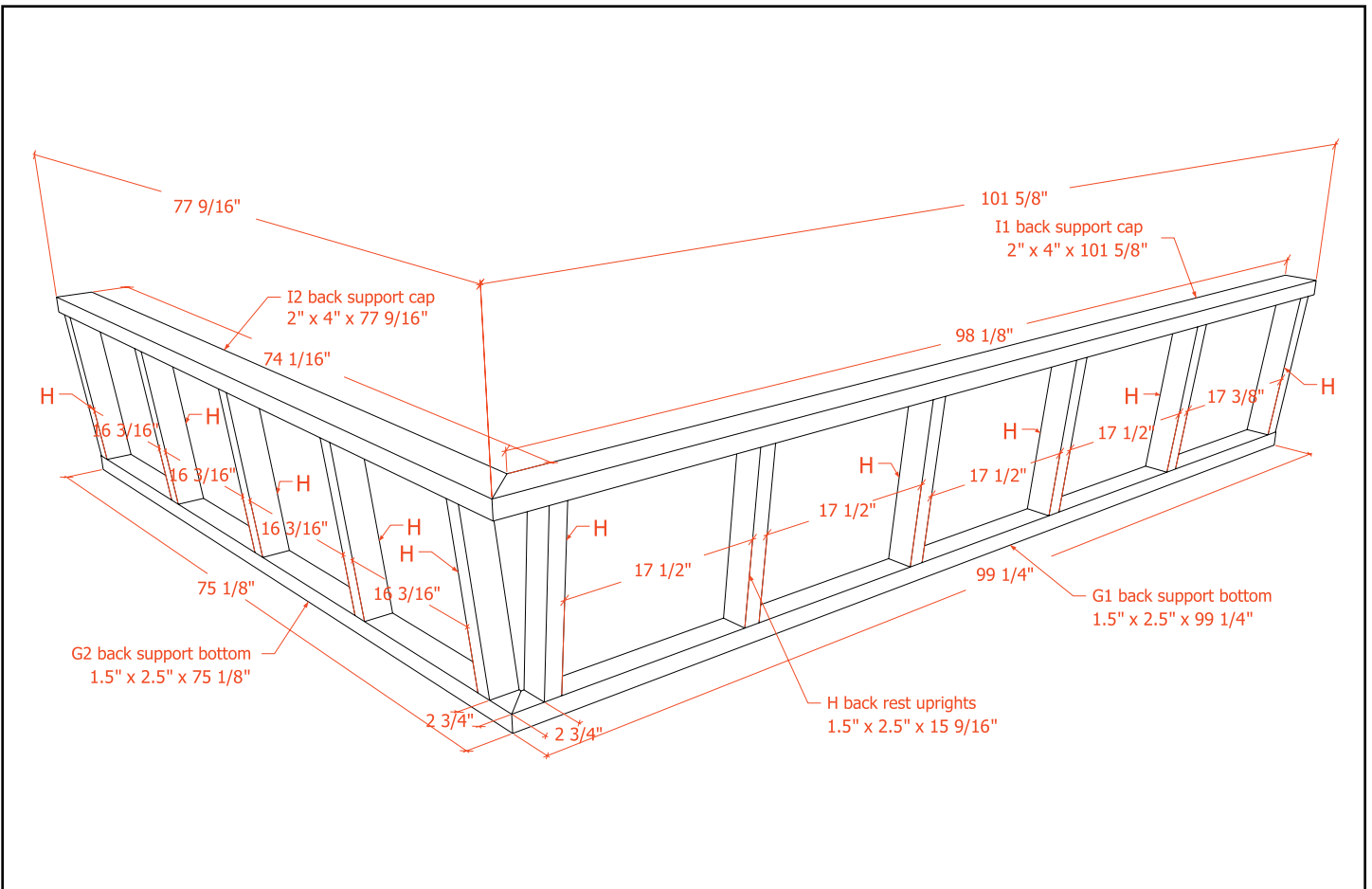
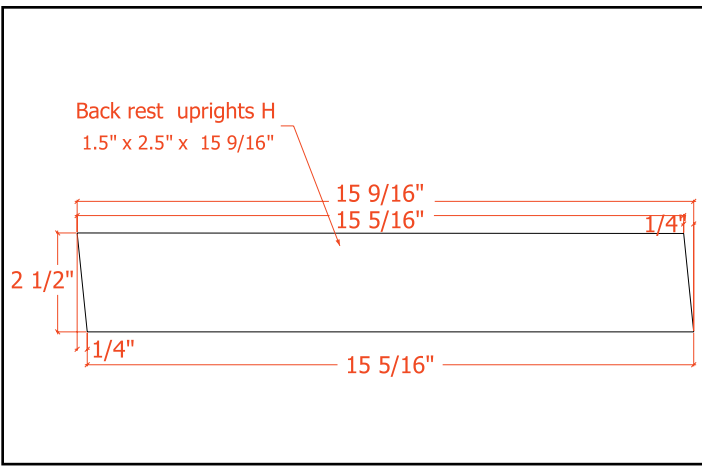
Using "U" nails, attach five (C5) leg slats to the exterior of each side leg and two (C5) leg slats to interior side of each side leg.



STEP 8 - Build Back Support

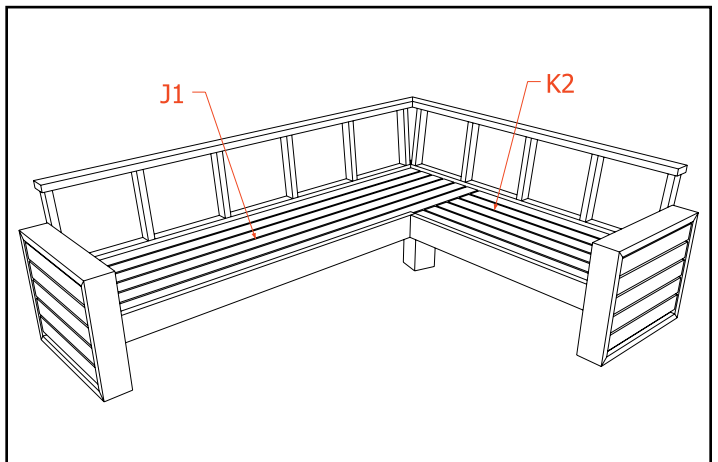
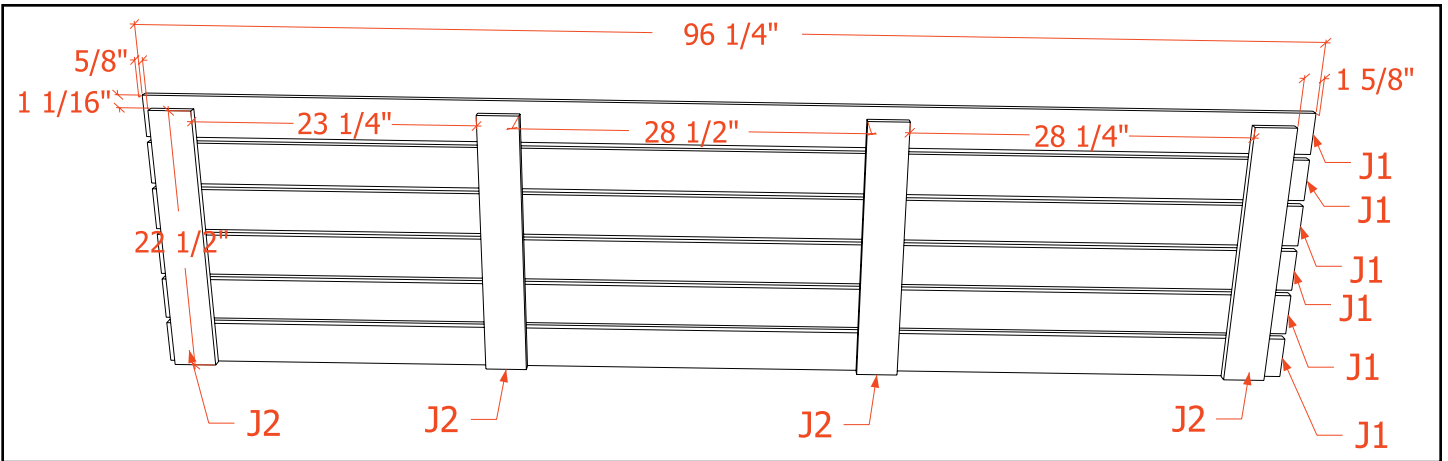
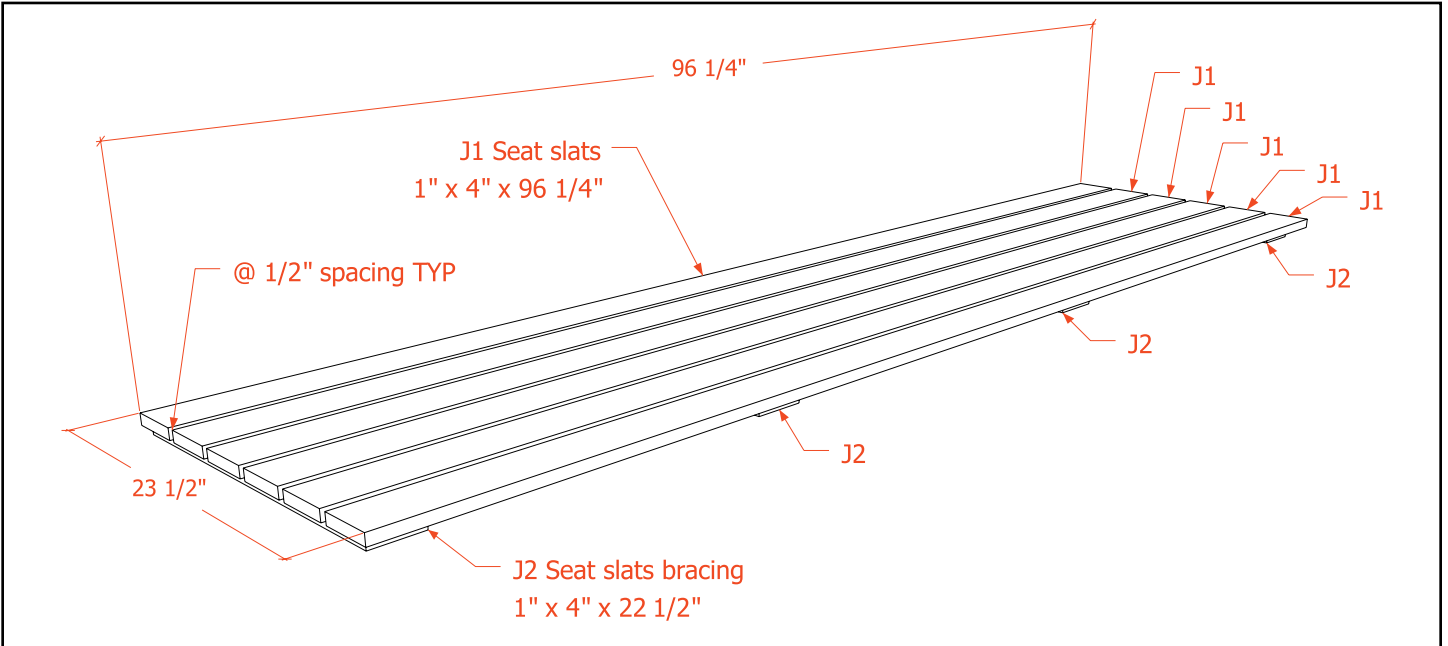
Attach (G1) back rest bottom to (F1) on "A" bench frame and (G2) back rest bottom to (F2) on "B" bench frame. Then, install 11 (H) back rest uprights. Top off with (I1) back rest cap on "A" bench and (I2) back rest cap on "B" bench.

Note: When attaching corner of back rest, use removable screws so structure can be split in two pieces if needed for transport.



STEP 9 - Build Long Seat

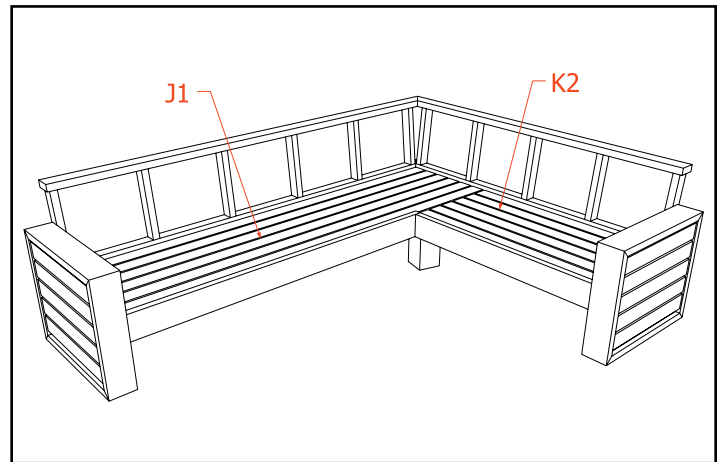
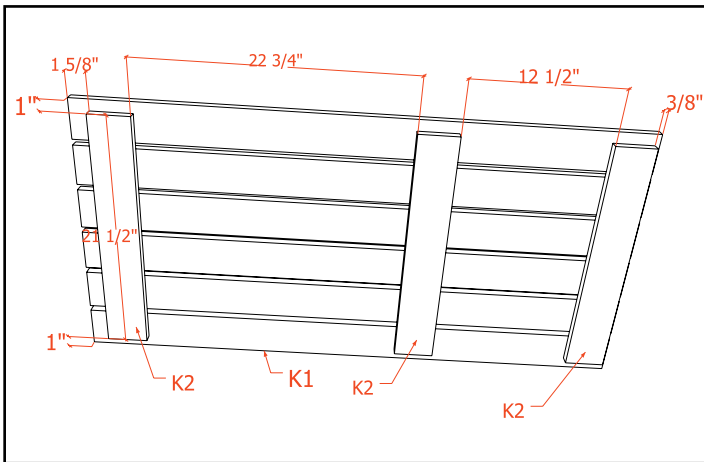
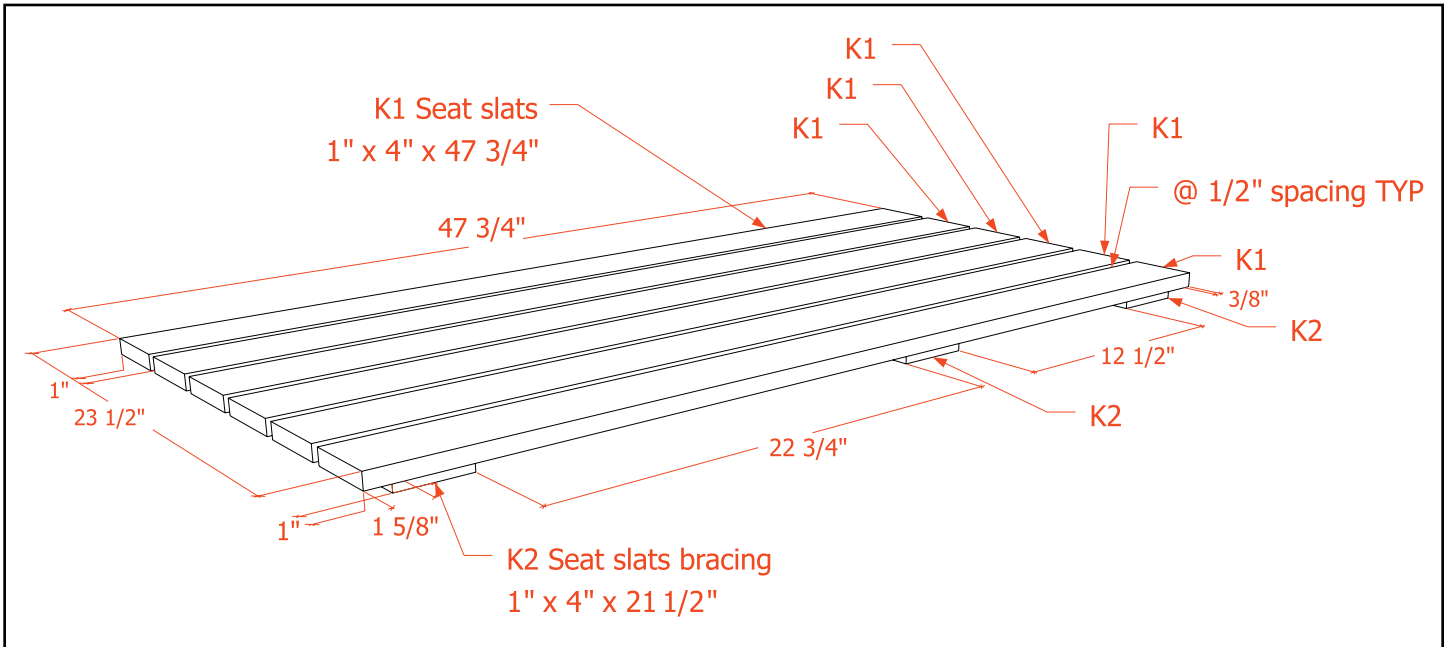
Attach four (J2) supports to a (J1) slat, spaced according to illustration. Then add five more (J1) slats, leaving $\frac{1}{2}$ " space between each board.



NOTE: Real Cedar is not responsible for any personal injury or property damage sustained in connection to these guidelines.

STEP 10 – Build Short Seat

Attach a (K1) slat to three (K2) supports, spaced according to illustration. Then add five more (K1) slats, leaving $\frac{1}{2}$ " space between each board. Then simply drop each seating panel into their respective bench frame.



STEP 11 - Install Back Rest Slats

Cut wood according to illustrated measurements and install slats on respective back rest frames.

