

REAL CEDAR PLANTER BENCH

DESIGN: REAL CEDAR ORIGINAL

Want to define a designated area or enhance your outdoor living space with a statement piece? This planter bench works on both fronts. At once, functional and stylish, it offers a contemporary seating solution with a removable lid for storage. You can also grow a herb garden on either side or fill the planters with big beautiful flowers for a punch of color. A timeless design with classic, clean lines, this garden staple will complement any style of deck or backyard.

It's also the perfect day project for DIYers. That's because the design calls for beautiful Western Real Cedar, a durable, yet surprisingly lightweight building material that lays flat, doesn't

check and takes fasteners easily. Furthermore, Real Cedar is naturally resistant to rot, decay and insects. So you can enjoy your planter bench for years to come with minimal maintenance.

In terms of WRC grades, for added warmth and texture choose knotty (Architect Knotty, Select Knotty), and for a crisp, clean look, choose clear (Architect Clear, 'A' & better). And when it comes to specifying sizes, we recommend asking your local Real Cedar retailer if they have any short lengths in stock. Using short lengths means less cutting, less waste and more savings for you. Search for kiln dried material, if available.

*Actual net sizes may vary. Check with your Real Cedar retailer.

WHAT YOU'LL NEED

Part #	Description	FINISHED SIZE			Nominal Sizes	Material	Qty.
		T	W	L			
A1	Frame A	1 1/2"	5 1/2"	95"	2x6x8	WRC Select Knotty	2
A2	Frame A sides	1 1/2"	5 1/2"	23 1/2"	2x6x2	WRC Select Knotty	2
A3	Frame A bracing	1 1/2"	5 1/2"	20 1/2"	2x6x2	WRC Select Knotty	2
B1	Frame B	1 1/2"	5 1/2"	95"	2x6x8	WRC Select Knotty	2
B2	Frame B sides	1 1/2"	5 1/2"	23 1/2"	2x6x2	WRC Select Knotty	2
B3	Frame B bracing	1 1/2"	5 1/2"	20 1/2"	2x6x2	WRC Select Knotty	2
C	Legs	1 1/2"	3 1/2"	24"	2x4x2	WRC Select Knotty	8
D1	Frame D	1 1/2"	5 1/2"	95"	2x6x8	WRC Select Knotty	2
D2	Frame A sides	1 1/2"	5 1/2"	23 1/2"	2x6x2	WRC Select Knotty	2
D3	Frame A bracing	1 1/2"	5 1/2"	20 1/2"	2x6x2	WRC Select Knotty	4
E	Frame E	1 1/2"	5 1/2"	23 1/2"	2x6x2	WRC Select Knotty	8
F	Planter shelves	1 1/2"	3 1/2"	17 1/2"	2x4x2	WRC Select Knotty	8
G	Planter base	1 1/2"	5 1/2"	19 1/2"	2x6x2	WRC Select Knotty	6
H	Cap	1 1/2"	3 1/2"	23 1/2"	2x4x2	WRC Select Knotty	8
I1	Lid cover	1 1/2"	5 1/2"	47"	2x6x4	WRC Select Knotty	4
I2	Lid bracing	1 1/2"	5 1/2"	20"	2x6x2	WRC Select Knotty	3

Hardware							
	SS trim screws #8			2 3/4"			300

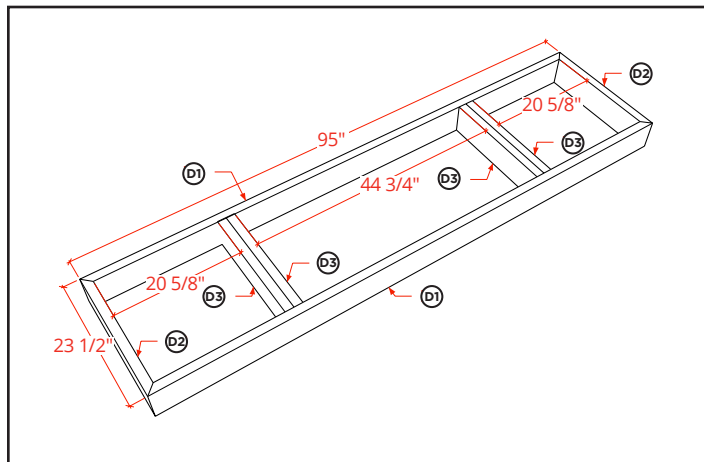
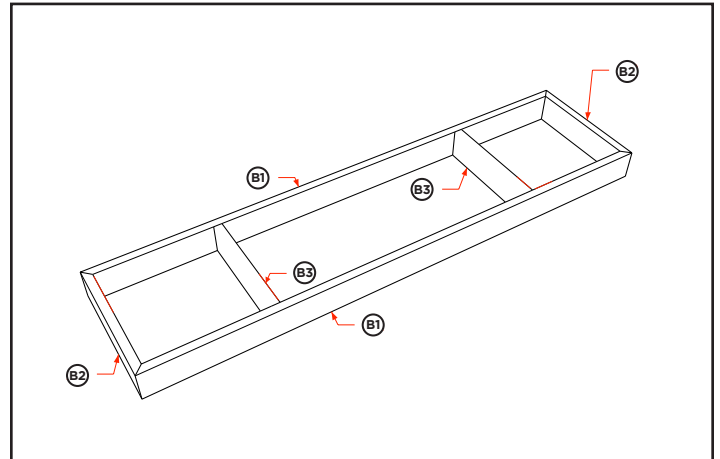
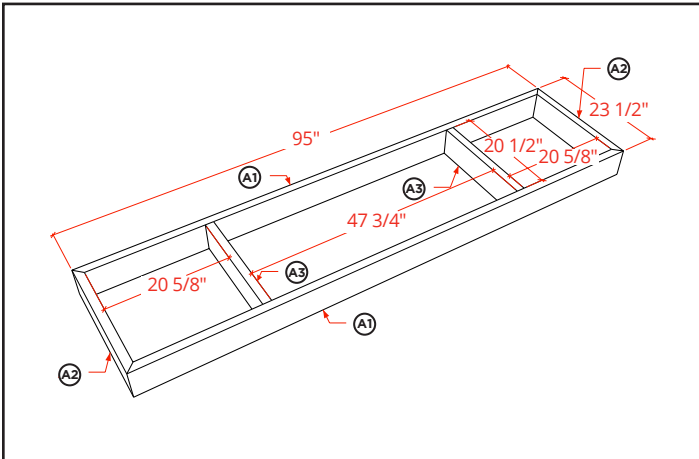
INSTALLATION PRO TIPS

1. Where gluing is required, only apply a polyurethane construction adhesive specially formulated for outdoor applications. Using a scrap of wood, spread a thin even layer of glue like butter on toast. Avoid applying excessive amounts and keep glue at least 1/2" away from exterior edges of joint to avoid unappealing bleed out. Press pieces in place briefly, then pull them apart for a second before pressing firmly back in place (this helps activate the glue so it will set faster). Always use clamps to keep pieces in position while driving in screws because until the glue dries, pieces are at risk of slipping.
2. For all outdoor work, you should use corrosion-resistant stainless steel or hot-dipped galvanized nails. Other fasteners and hardware such as bolts, screws and hinges should also be made from similar corrosion resistant materials.
3. You can let the cedar weather naturally (eventually turning a beautiful silvery patina), or you can choose to finish the structure - in which case, apply the finish to all six sides of the components before assembly.

NOTE: Real Cedar is not responsible for any personal injury or property damage sustained in connection to these guidelines.

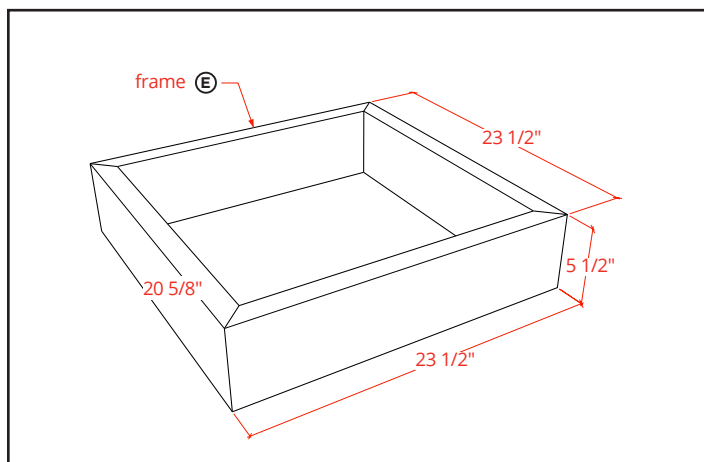
STEP 1 - Build Bottom Frames

Using stainless steel fasteners and glue, attach two (A2) side frames to either side of one (A1) long frame. Then attach two (A3) bracing pieces. Complete rectangle by attaching second (A1) to top of (A2) & (A3) pieces. For second frame, repeat these exact steps using all (B) parts.



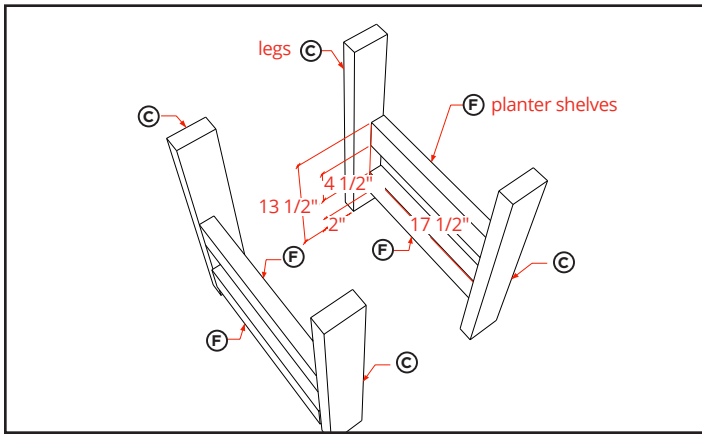
STEP 2 - Build Top Frame

Attach two (D2) side frames to one (D1) long frame. Then attach two pairs of side-by-side (D3) bracing pieces inside and complete rectangle by attaching second (D1) to top of (D2) & (D3) pieces.



STEP 3 - Build Planter Frames

Using screws and glue, make a square using four (E) frames and repeat for second planter frame.

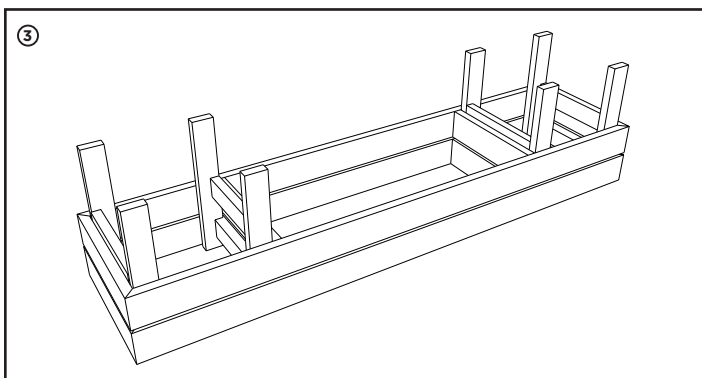
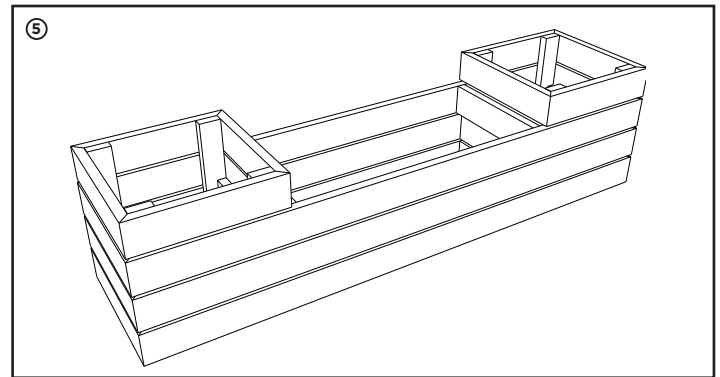
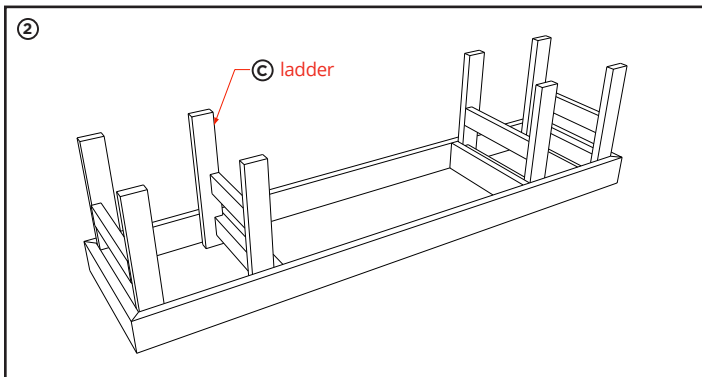
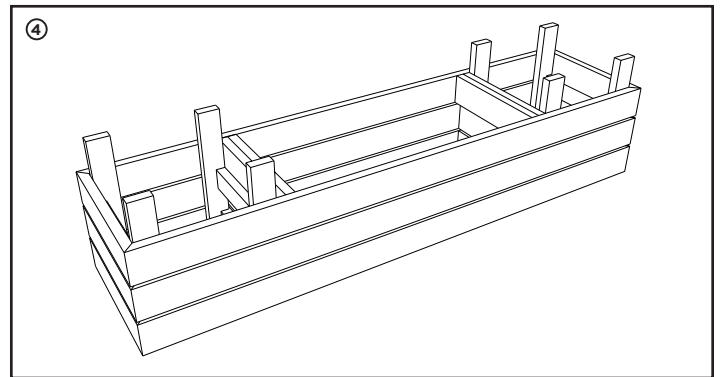
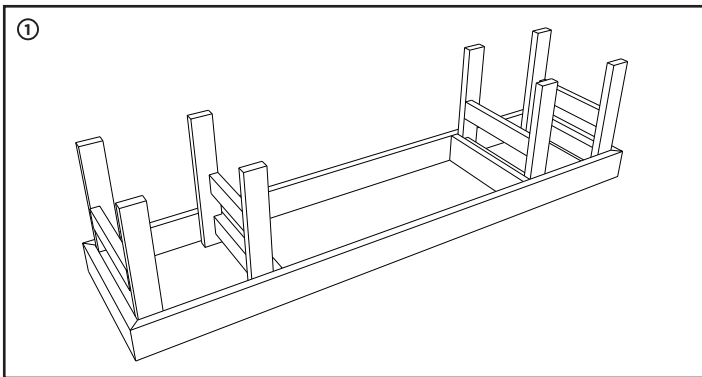


STEP 4 - Build Four Ladders

For each ladder, attach two (F) planter shelves to one (C) leg and then attach a second (C) leg to other side of shelves. Shelving placement can vary according to how high or how low you want your plants to sit in the boxes.

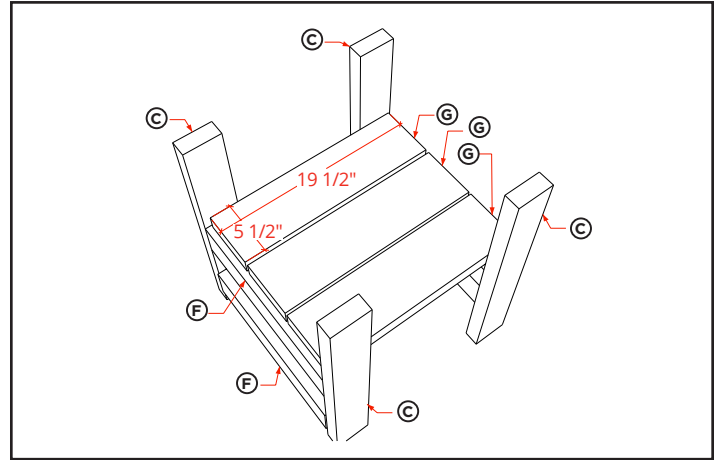
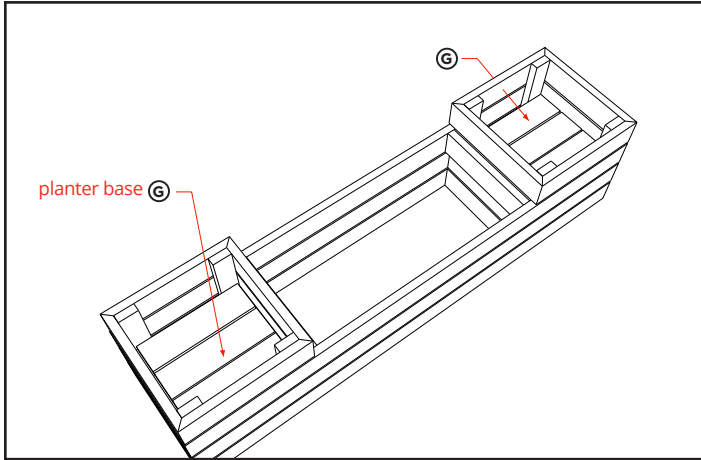
STEP 5 - Assemble All Components

Using a spacer between the bottom frame and ground, install the ladders inside the bottom frame to ensure the completed project doesn't rock on its intended surface. Then using a spacer between each frame, layer the second bottom frame, followed by the top frame and planter frames.



STEP 6 - Install Planter Base

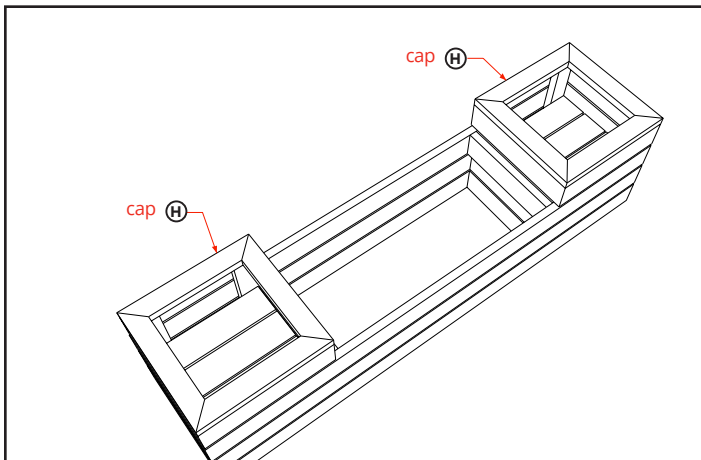
Drop three (G) planter bases pieces in each box. No need to attach, as this will give you options to position your plants on either one of the shelves available.



STEP 7 - Install Planter Caps

Using screws and glue, make a square using four ((H) caps and once glue is dry, attach to top planter frame by blind-screwing from underneath. Repeat for second cap.

*Note: you can use biscuits to help align and strengthen the cap mitres, but they're not required.



STEP 8 - Install Bench

Working on a flat surface, attach three (12) lid braces to one (1) cover spaced according to illustration. Then attach three evenly spaced (1) pieces.

* Note: for easier access to your stored goods, a hinged lid is recommended, but not required.

