

REAL CEDAR MULTIPURPOSE SHED

DESIGN: REAL CEDAR ORIGINAL

This compact multipurpose shed is the perfect storage solution for backyards as well as garages where space is limited. Possible uses for this structure include: garbage sorter, garden shed, wood shed and sports locker – to name a few. With plenty of airflow between slats, it cuts down on unpleasant odours such as recycling bins or sweaty sports equipment. The design calls for Western Red Cedar, so it's going to elevate all your senses. That's because nothing looks, feels...or smells quite like Real Cedar. Real Cedar is also a durable, yet surprisingly lightweight building material. Furthermore, Real Cedar is naturally resistant to rot, decay and

insects. So you can keep all your outdoor equipment organized for decades to come.

In terms of WRC grades, choose knotty (Architect Knotty, Select Knotty) for a more rustic look and clear (Architect Clear, 'A' & better) for a polished contemporary look. And when it comes to specifying sizes, we recommend asking your local Real Cedar retailer if they have any short lengths in stock. Using short lengths means less cutting, less waste and more savings for you. Search for kiln dried material, if available.

WHAT YOU'LL NEED

Part #	Description	FINISHED SIZE			Nominal sizes	Material	Qty.
		T	W	L			
Floor							
A	Floor frame	1 1/2"	3 1/2"	65 1/2"	2x4x6'	WRC Select Knotty	2
B	Floor frame	1 1/2"	3 1/2"	36"	2x4x3'	WRC Select Knotty	5
C1	Floor deck	1 1/2"	3 1/2"	72 1/2"	2x4x7'	WRC Select Knotty	5
C2	Floor deck w/notch	1 1/2"	3 1/2"	72 1/2"	2x4x7'	WRC Select Knotty	2
Walls							
D1	Post front	3 1/2"	3 1/2"	88"	4x4x8'	WRC Select Knotty	2
D2	Post back	3 1/2"	3 1/2"	79 3/4"	4x4x8'	WRC Select Knotty	2
E1	Back wall top/bottom	1 1/2"	3 1/2"	65 1/2"	2x4x6'	WRC Select Knotty	2
E2	Back wall studs	1 1/2"	3 1/2"	67 1/2"	2x4x6'	WRC Select Knotty	5
F1	Side wall	1 1/2"	3 1/2"	32"	2x4x3'	WRC Select Knotty	4
F2	Side wall	1 1/2"	3 1/2"	67 1/2"	2x4x6'	WRC Select Knotty	2
Roof							
G1	Roof side support	1 1/2"	3 1/2"	33"	2x4x3'	WRC Select Knotty	2
G2	Roof front support	1 1/2"	3 1/2"	65 1/2"	2x4x6'	WRC Select Knotty	1
G3	Roof front support	1 1/2"	3 1/2"	65 1/2"	2x4x6'	WRC Select Knotty	1
H1	Roof frame	1 1/2"	3 1/2"	75 3/4"	2x4x7'	WRC Select Knotty	2
H2	Roof rafters	1 1/2"	3 1/2"	40"	2x4x4'	WRC Select Knotty	5
H3	Roof frame brace	1 1/2"	3 1/2"	14 1/2"	2x4x2'	WRC Select Knotty	4
I1	Roof cover front	1 1/2"	5 1/2"	78 3/4"	2x6x7'	WRC Select Knotty	1
I2	Roof cover sides	1 1/2"	5 1/2"	51"	2x6x5'	WRC Select Knotty	2
I3	Roof cover back	1 1/2"	3 1/2"	78 3/4"	2x4x7'	WRC Select Knotty	1
J	Corrugated roof (see hardware notes)						1
L	Metal fascia optional						1
Siding							
K1	Siding back	3/4"	3 1/2"	68"	1x4x7'	WRC Select Knotty	9
K2	Siding back	3/4"	5 1/2"	68"	1x6x7'	WRC Select Knotty	7
K3	Siding back cover	3/4"	2 1/4"	74"	1x3x7'	WRC Select Knotty	2
K4	Siding side cover	3/4"	2 1/4"	74"	1x3x7'	WRC Select Knotty	2
K5	Siding sides	3/4"	3 1/2"	37 1/2"	1x4x4'	WRC Select Knotty	18
K6	Siding sides	3/4"	5 1/2"	37 1/2"	1x6x4'	WRC Select Knotty	14
K7	Siding sides angle cut	3/4"	5 1/2"	37 1/2"	1x6x4'	WRC Select Knotty	2
K8	Front cover side	3/4"	5 1/2"	84"	1x6x7'	WRC Select Knotty	2
K9	Front cover top	3/4"	5 1/2"	65 1/2"	1x6x6'	WRC Select Knotty	1

NOTE: Real Cedar is not responsible for any personal injury or property damage sustained in connection to these guidelines.

WHAT YOU'LL NEED

Part #	Description	FINISHED SIZE			Nominal sizes	Material	Qty.
		T	W	L			
Doors							
G4	Door stoper	1 1/2"	2 1/2"	9 1/2"	2x3x1'	WRC Select Knotty	1
G5	Side support	1 1/2"	3 1/2"	74"	2x4x7'	WRC Select Knotty	2
M1	Door frame vertical	1 1/2"	2 1/2"	68"	2x3x6'	WRC Select Knotty	4
M2	Door frame horizontal	1 1/2"	2 1/2"	31"	2x3x3'	WRC Select Knotty	4
M3	Door frame brace	1 1/2"	2 1/2"	73"	2x3x7'	WRC Select Knotty	2
N1	Door siding	3/4"	3 1/2"	30 3/4"	1x4x3'	WRC Select Knotty	16
N2	Door siding	3/4"	5 1/2"	30 3/4"	1x6x3'	WRC Select Knotty	14
N3	Door siding top	3/4"	1"	30 3/4"	1x2x3'	WRC Select Knotty	2

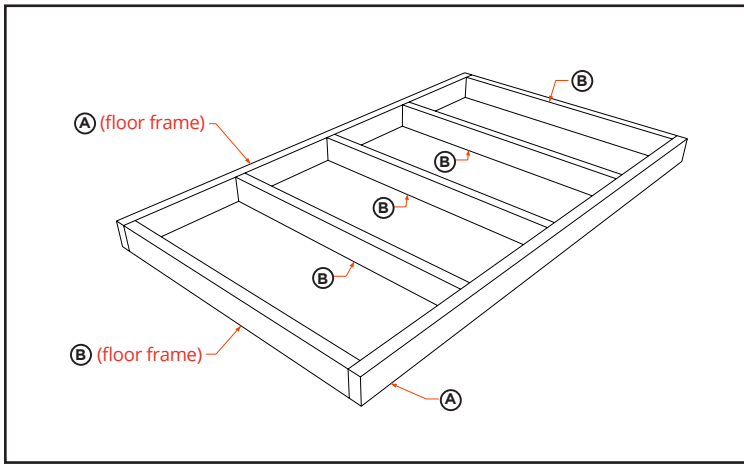
Hardware							
	Siding nails (ring shank)			2"		Stainless steel	300
	Screws			3"		Stainless steel	100
	Hex head roofing screws with rubber gasket			2"			40
	8mm hex head roofing screws						20
J	Corrugated roofing panels and backing strips to size						1
L	Lumber yard standard 3"x3" flashing to size (optional)						1
	4" stainless steel butt hinges						4
N4	Slide action stainless steel gate latch						1
	3" stainless steel barrel bolt						1

*Actual net sizes may vary. Check with your Real Cedar retailer.

INSTALLATION PRO TIPS

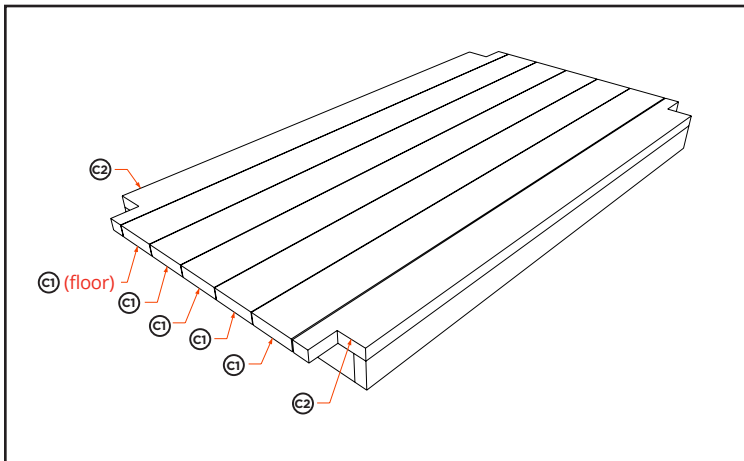
1. Where gluing is required, only apply a polyurethane construction adhesive specially formulated for outdoor applications. Using a scrap of wood, spread a thin even layer of glue like butter on toast. Avoid applying excessive amounts and keep glue at least 1/2" away from exterior edges of joint to avoid unappealing bleed out. Press pieces in place briefly, then pull them apart for a second before pressing firmly back in place (this helps activate the glue so it will set faster). Always use clamps to keep pieces in position while driving in screws because until the glue dries, pieces are at risk of slipping.
2. For all outdoor work, you should use corrosion-resistant stainless steel or hot-dipped galvanized nails. Other fasteners and hardware such as bolts, screws and hinges should also be made from similar corrosion resistant materials.
3. You can let the cedar weather naturally (eventually turning a beautiful silvery patina), or you can choose to finish the structure - in which case, apply the finish to all six sides of the components before assembly.

NOTE: Real Cedar is not responsible for any personal injury or property damage sustained in connection to these guidelines.



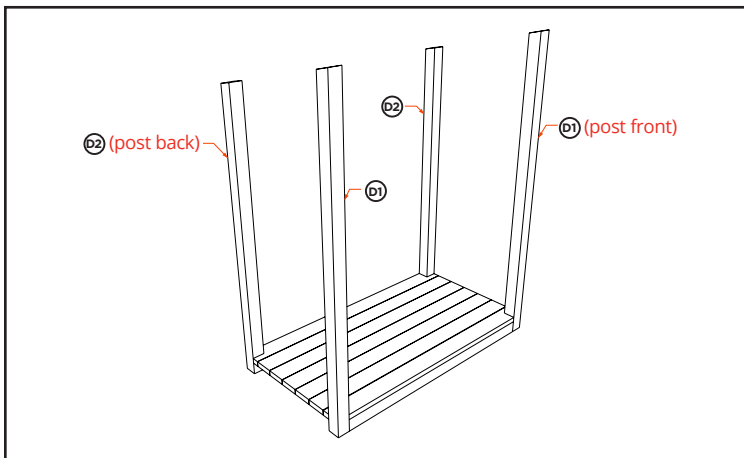
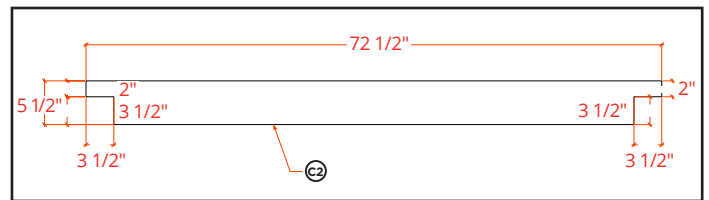
STEP 1 - Build Floor Frame

Fasten five (B) floor frames to one (A) floor frames, using stainless steel screws and then complete rectangle by attaching the second (A) floor frame. Make sure it's true and square before proceeding to Step 2.



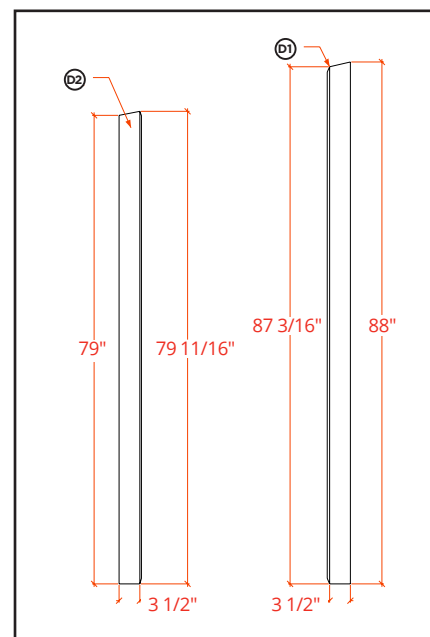
STEP 2 - Install Decking

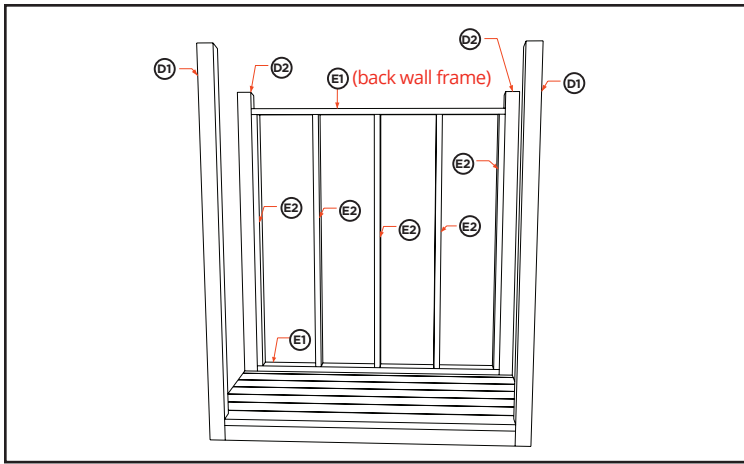
Fasten (C2) outer boards with notches and fasten five (C1) inner decking boards, spacing each piece $3/16$ " to allow debris to fall through easily and ensure proper airflow.



STEP 3 - Add Corner Posts

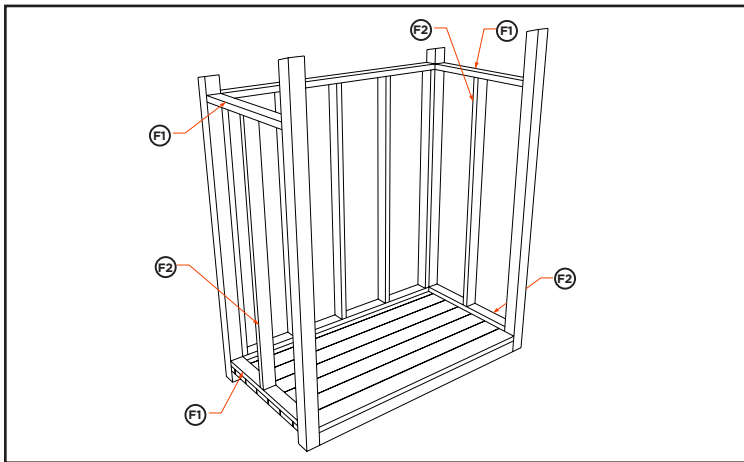
Install two (D1) front posts and then two (D2) back posts by attaching to decking and frames. The posts can run through and sit on pier blocks or the posts can be cut flush.





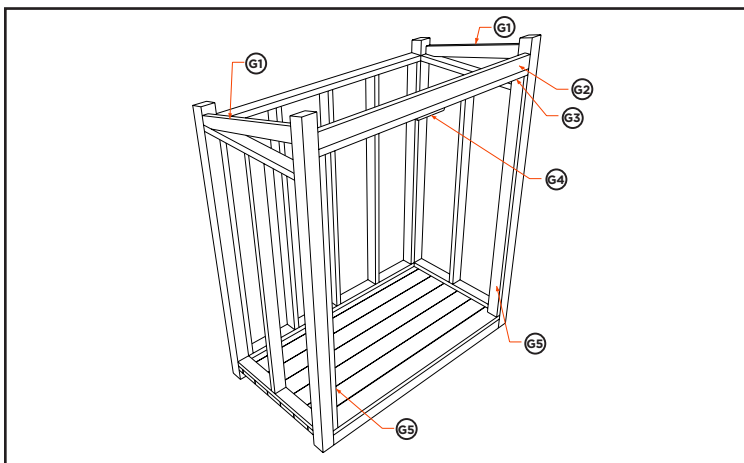
STEP 4 - Build Back Wall Frame

Using stainless steel screws, install the (E1) wall back bottom along top of (C2) decking piece. Attach five (E2) wall studs (E1), spaced 16" on center. Then complete rectangle by attaching the (E1) back top to the five wall studs.



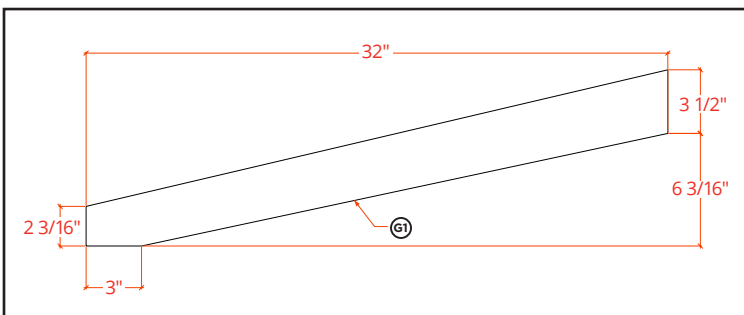
STEP 5 - Build Side Wall Frames

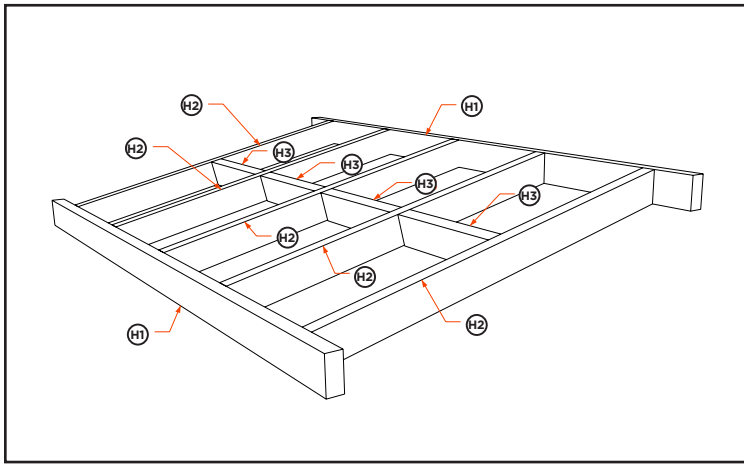
Install one (F1) frame to the decking on each side. Then one (F2) frame to bottom of each installed (F1). Then complete by attaching one (F1) top to each side, using stainless steel screws.



STEP 6 - Add Roof & Door Supports

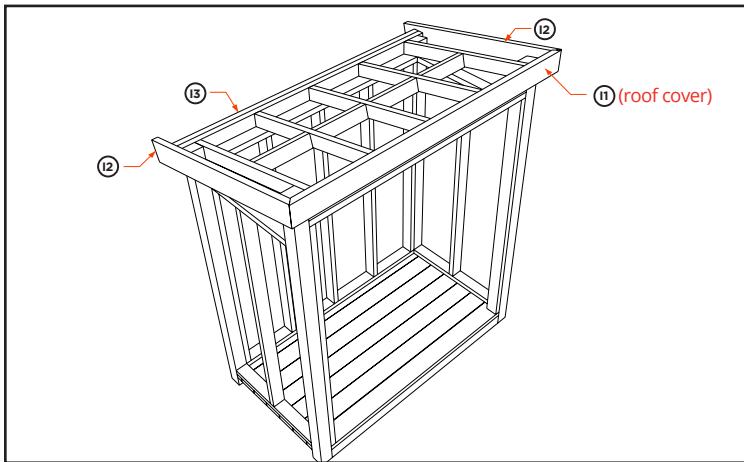
On the right side, install (G1) support into corner where (D2) back post and (F1) side frame meet, and angle up to back of (D1) front post. Do the same on the left side. Attach a (G5) side support to inside of each (D1) front post. Fasten (G3) front support to top of (G5) supports. Then attach (G2) support to (G3) support. Attach (G3) doorstopper to bottom middle of (G4), using stainless steel screws.





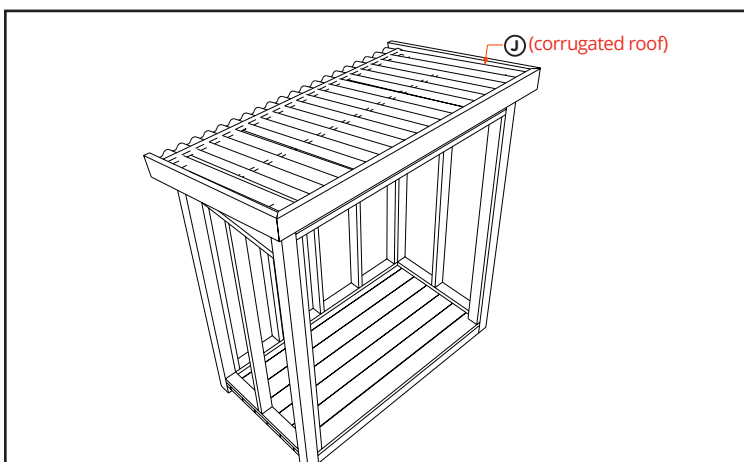
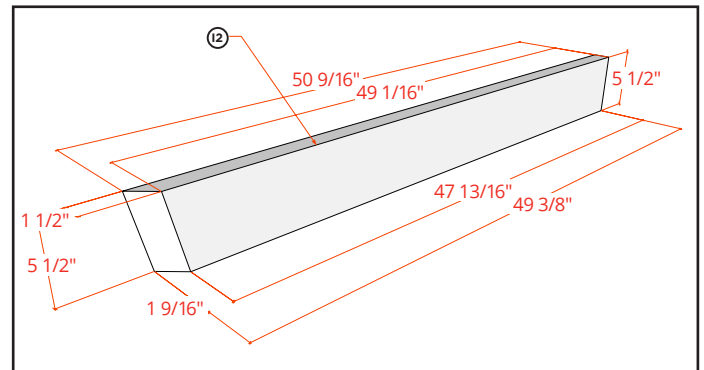
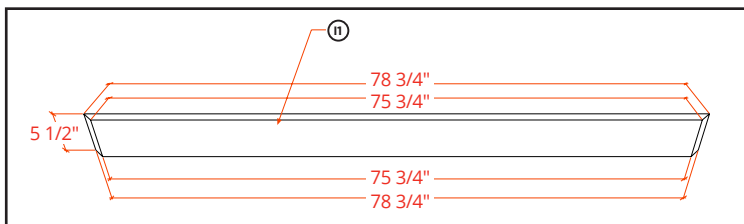
STEP 7 - Build Roof Frame

Working on a flat surface, fasten five evenly spaced (H2) rafters to (H1) frame and then complete rectangle by adding second (H1) frame to top of all five rafters. Install four (H3) braces at the middle point between the each rafter.



STEP 8 - Install Roof Frame

Attach roof to corner posts. Then add roof cover (I1) front roof cover to roof frame, (I2) side frame to each side and then (I3) back cover between each (I2) side frame.



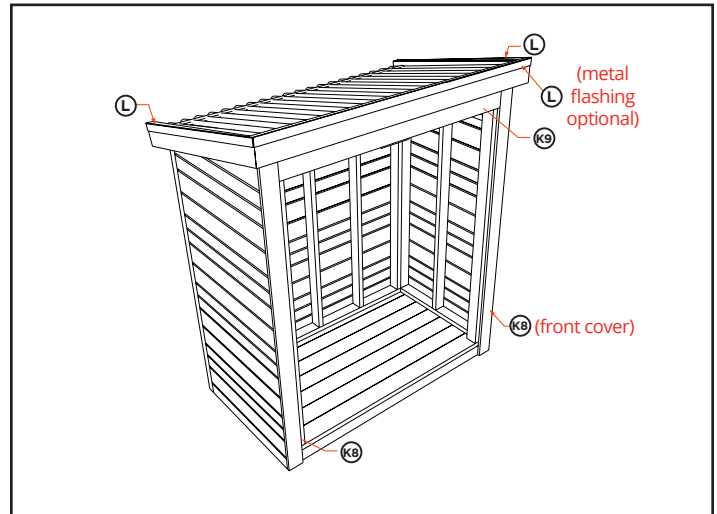
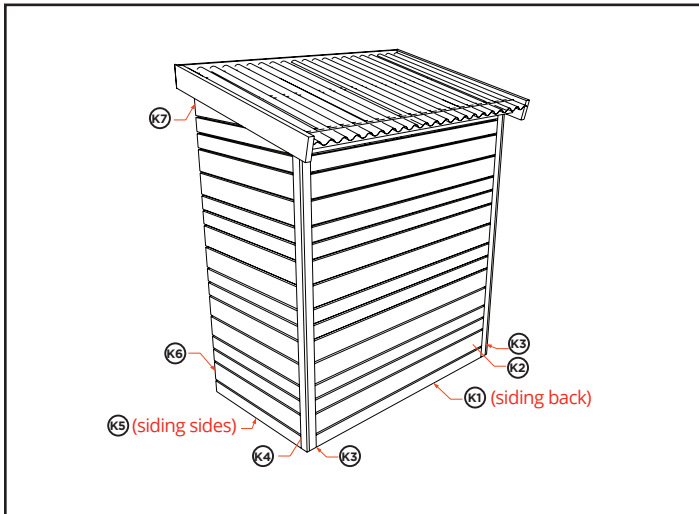
STEP 9 - Install Roofing

Over corrugated supports that come with roofing material, fasten (J) corrugated roofing panel with roofing screws.

Note: If NOT using metal flashing, cut the corrugated roofing so that you have an extra 1.5" inches of overhang on all four sides.

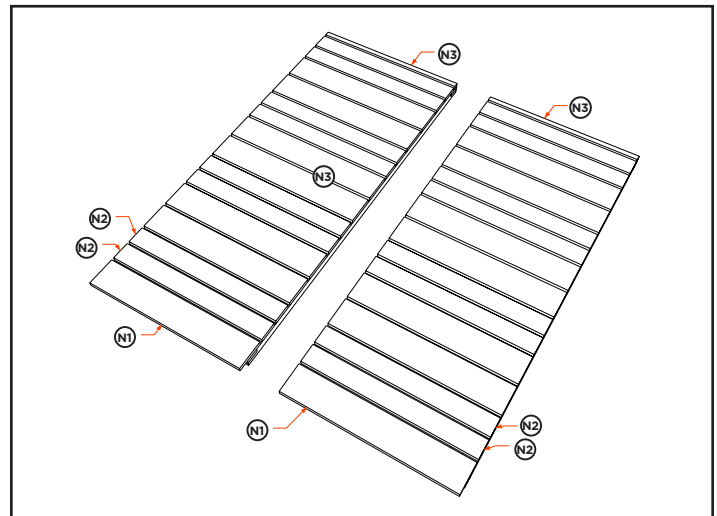
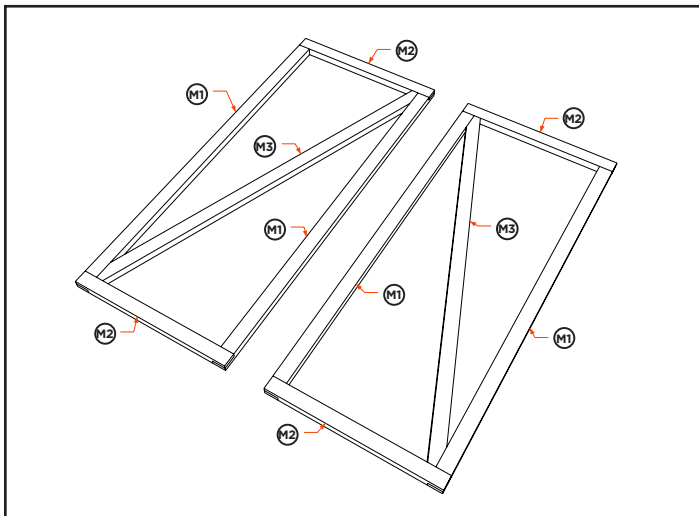
STEP 10 - Install Cladding

Using stainless steel brad nails, alternate (K1) siding boards and (K2) siding boards up the back, leaving 5/8" space between each piece. Repeat process on both sides, alternating (K5) and (K6) pieces. Top each side with an (K7) angle cut and then attach a (K3) to back of each back post, a (K4) side cover to side of each back post, (K8) cover side to each front post and then install the (K9) front cover top between the two (K8) cover sides. Complete with optional (L) metal flashing and fasten through the vertical face only with roofing screws.



STEP 11 - Build Door Frames

On a flat surface, complete each door frame by attaching two (M2) verticals to two (M3) horizontals. Then diagonally attach a (M3) door brace inside each completed frame. After, clad each frame siding by alternating (N1) pieces and (N2) pieces.



STEP 12 - Install Doors

Butt hinges 6" from top and bottom to the center of the hinge. Then hang them as finished units by first marking where the hinges should fasten to the shed in order for the shed siding and the door siding to line up. You will need a helper to hold the doors while you fasten the hinges to the shed. Attach (N4) slide action stainless steel, gate latch.

