

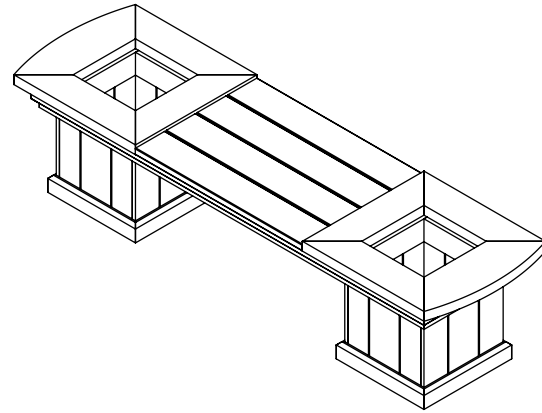
Herb Garden Planter

MATERIAL LIST

5	2"x4" x 8'	11b	1 3/4" spiral galvanized finish nails.
8	1"x6" x 5'	21b	3" Deck Screws (rated for red cedar) or spiral galvanized nails.
2	1"x6" x 6'	21b	2 1/4" Deck Screws (rated for red cedar) (or 15 guage finishing brads or 2 1/2" Spiral Galvanized Nails)
1	5/4"x6" x 12'		
1	2"x6" x 12'		
1	2"x8" x 4'		
1	2"x4" x 12'		
1	1"x6" x 8'		

*Consider using a 3/8" pilot with a countersink, then filling the screw holes with solid wood cut using a drill press and a tapered plug cutter.

*Consider pre-finishing your Red Cedar Prior to assembly.

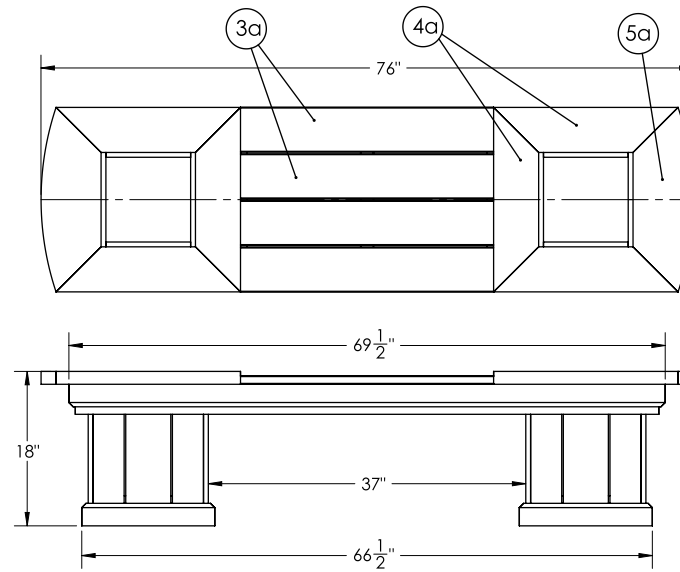


INSTRUCTIONS

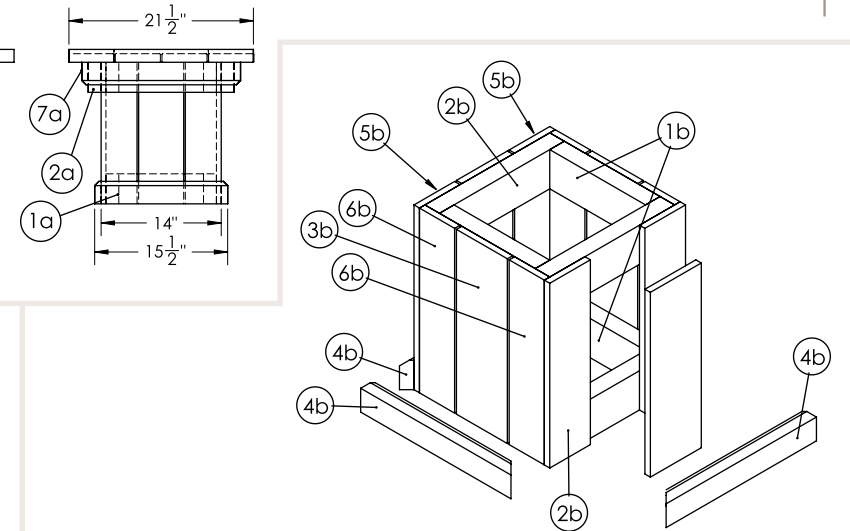
- Shop for, gather and organize your materials.
- Prefabricate parts and stack like pieces together. It may be prudent to leave parts slightly long and trim to fit once measurements are confirmed.
- Assemble the planter boxes and clad with 5' fence boards. Install baseboard trim.
- Assemble bench frame. Confirm sizing of frame by measuring the assembled planter box. (lumber varies in nominal size due to milling processes)
- Install bench frame trim. Assemble mitered planter top trim (Picture Frame 2x6-2x8) and install centered upon the planter boxes.
- Trim bench boards to fit and install upon bench frame between mitered planter top trim.
- Sand off all the sharp corners and apply a high quality exterior finish.

RECOMMENDED TOOLS

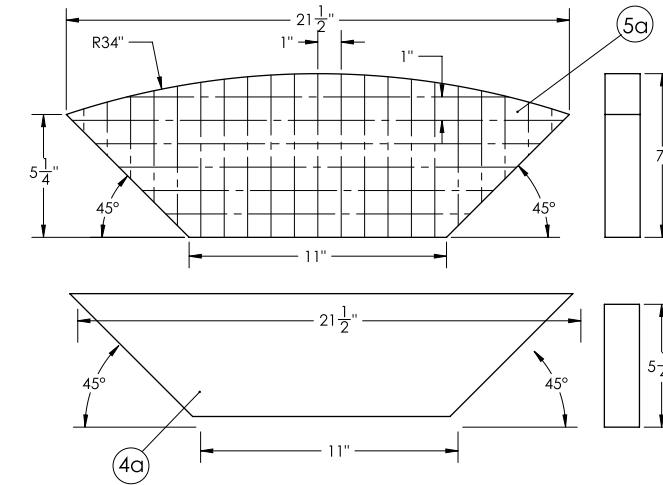
- Drill and 3/8" spade bit or augur bit
- Screw driver bits and magnetic tip for screw gun
- Framing Square
- Pocket Hole Jig and #12 Pan Head Stainless Wood Screws
- 3/8" Countersink and Pilot bit and Tapered Plug Cutter (to fill countersinks)
- Random orbital sander with 80 grit sandpaper.
- Small Drill Press (optional)
- Flush Cut Saw
- Table Saw



Item No.	Description	Material	Qty.
1a	Leg Sub Assy	Diagram iii & iv	2
2a	Bench Support Sub Assy	Diagram iv	1
3a	Bench Boards	5/4" x 6" Decking	4
4a	Planter Trim Board (Side)	2 x 6"	6
5a	End Cap	2"x8"	2
6a	Bench Frame Trim (Long Side)	1"x3" Trim (from 1"x6" x 8' Rip in Two)	2
7a	Bench Frame Trim (Short Side)	1"x3" Trim (from 1"x6" x 8' Rip in Two)	2



Item No.	Description	Material	Qty.
1b	Leg Support Frame (Short side)	2"x4"	4
2b	Leg Support Frame	2"x4"	4
3b	Leg Cladding Boards	1"x6" Fence Boards	4
4b	1x3 Trim	1"x3" (Mitred)	4
5b	Leg Cladding Boards (Ripped @ 4 3/16")	1"x6" Fence Boards	4
6b	Leg Cladding Boards (Ripped @ 3 5/8")	1"x6" Fence Boards	4



Item No.	Description	Material	Qty.
1c	Bench Support Frame (Short Side)	2"x4"	2
2c	Bench Support Frame Intermediate	2"x4"	5
3c	Bench Support Frame (Long Side)	2"x4"	2

